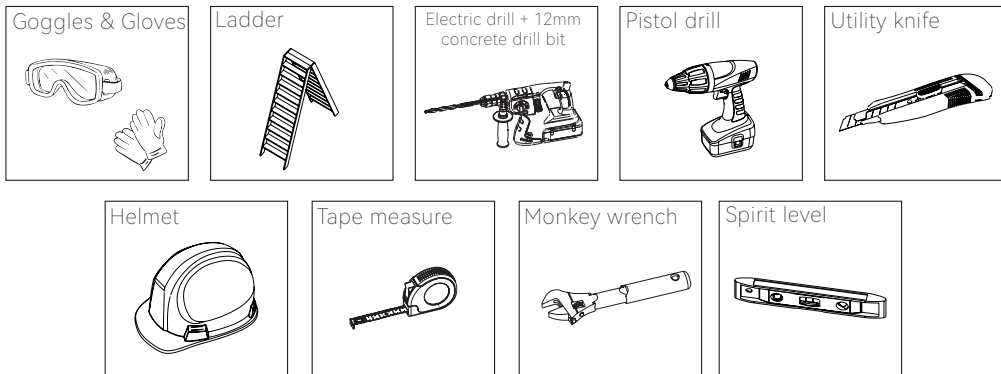


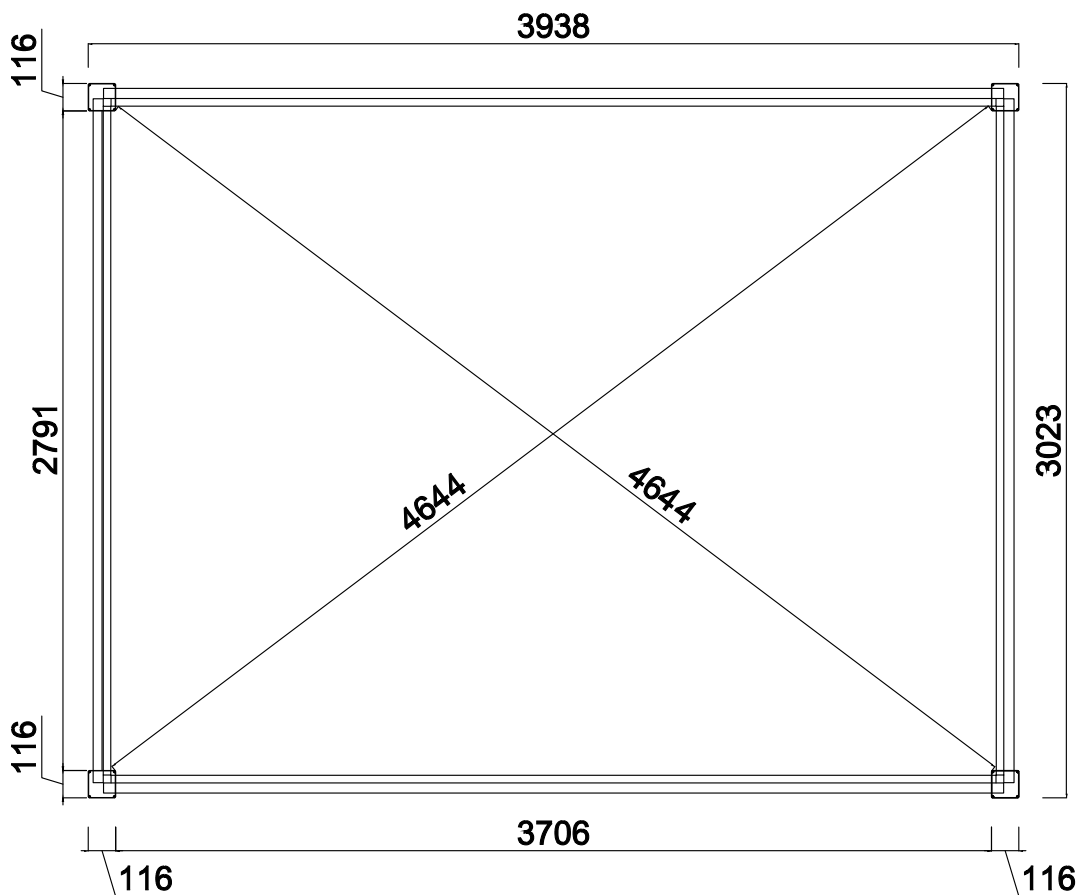
PERGOLA 3×4M

Assembly Instructions
Orion Comfort

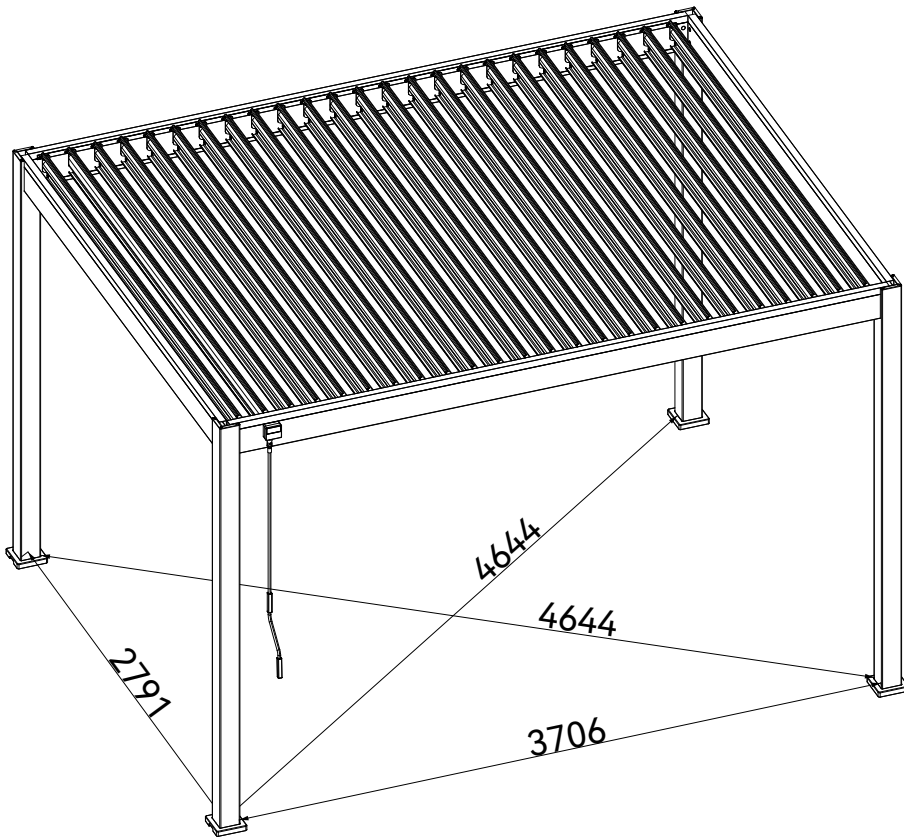
NECESSARY TOOLS AND SAFETY GEAR(NOT SUPPLIED)



2D FOOTING MEASUREMENT (dimensions in mm)



3D FOOTING MEASUREMENT (dimensions in mm)



PRECAUTION OF USE

This product should not be used in extreme weather: storms, violent winds, hail, and snow. We guarantee the resistance of the pergola for winds up to 60 km/h and a maximum snow weight of 50kg/m².

As in the case of strong winds or snow, we highly recommend leaving the louvers open. To maintain good working conditions of your louvers, please clear any snow on them.

Our pergola can withstand heavy rain, but we cannot guarantee it will be 100% waterproof due to some extreme weather conditions.

Exceptional climatic events may compromise the perfect sealing of the product.

To avoid any damages and injuries, we do not recommend climbing on the roof or the structure of the pergola.

TIPS AND SAFETY INSTRUCTIONS

Depending on the location and surface area, construction may be subject to building permits. Make sure you have checked with your local authorities to obtain the needed information before the assembly.

Product assembly :

- At least 2/3 people required
- Remove protective film (around 1 hour needed)
- Do not keep children near the assembly area
- Beware of the risk of pinching
- Do not tighten the screws before assembling the whole product
- All assembly steps must be carefully followed
- Check the level of the structure on all sides
- Do not anchor the pergola before assembling the whole product

No changes can be made to the product. Products tampered with by the user are not covered by the warranty, thus being declared as void.

The location should be chosen carefully. It is recommended to avoid mounting your pergola on a rainy day, facing the prevailing winds, and under an overhanging tree.

The pergola must be mounted on a flat-level foundation. It is recommended to install it on a concrete slab or 25x25 cm concrete pads at each post. Please, anchor the pergola properly to the ground using expansion screw.

If you would like to mount your pergola near your house or a building, please check the presence of gutters for water drainage.

Should these instructions not be followed or only partially, the warranty will be voided by the seller.

MAINTENANCE

Regular maintenance is necessary to ensure its longevity and aesthetic appearance.

We recommend to :

- Clean your pergola once or twice a year with fresh water using a sponge or cloth.
- Do not use detergent or an abrasive material.
- Check the tightness of the screws regularly (at least once a year).
- Oil fastening regularly (at least once a year).
- Make sure that nothing hinders the water flow in the gutters (leaves, branches...).
- Remove any water that might stagnate around the legs of the pergola (lift the posts skirts).

WARRANTY

This warranty does not cover :

- Normal wear and tear inherent from the products.
- Loss or breakage of any part during unpacking or installation.
- Lack of care, neglect, vandalism, impact with foreign body, force, contact with a abrasives material, product aesthetics, disassembly, rebuilding or relocation.
- Force majeure: hail, high winds, storms, snow, floods, lightning etc...
- Product tampered with by the user.

The warranty only takes in account the replacement of spare parts or the provided product, no No.und will be issued.

All warranty claims must be made at the sales outlet (store or website) where the product has been purchased.

PARTS LISTS (PER CARTON)

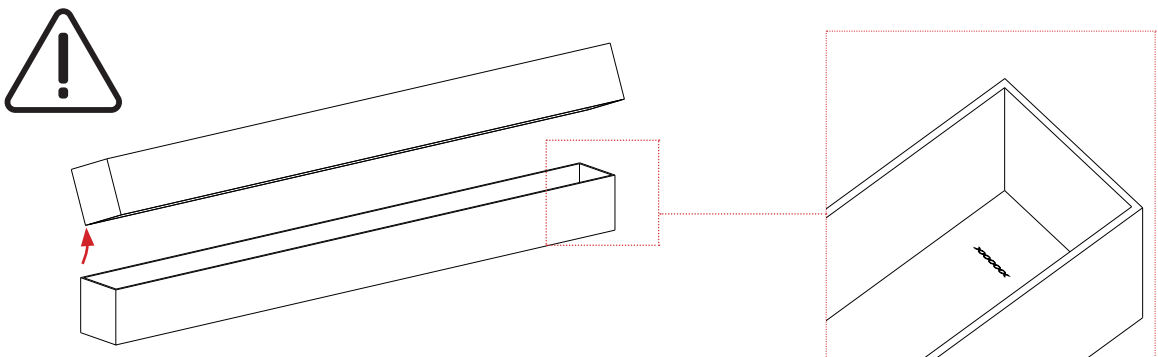
Before proceeding with the assembly of your louvered pergola, it is necessary to check that all parts listed are supplied and not damaged.

Any missing part must be reported within 10 days of delivery.



You can either go through your local outlet store or make the request directly on our website.

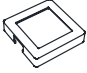

Do not discard the packaging without ensuring that the product is functioning properly.

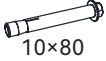

There is a Product Tracking Number in the inner side of the carton(see below diagram). For better and efficient after-sales in the future, when tear down the carton box, please take a photo of the Tracking Number and save the photo.

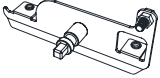
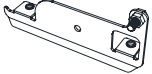
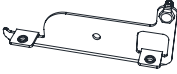


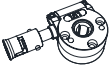
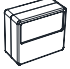

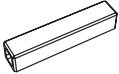







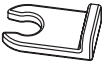



CARTON 1/4

No.	Profile	Diagram	Size	QTY
AO			116X116 L=2550mm	4



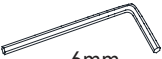
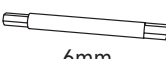
No.	Diagram	QTY
IO		4
JO		4




No.	Diagram	QTY
TO	 10x80	16
XO-1	 6x35 4mm	16

No.	Diagram	QTY
KO		1
LO		24
LO-1		25
MO		49
QO		16
NO		1
OO		1
RO		16
PO		1




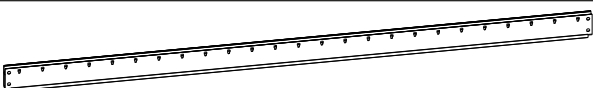

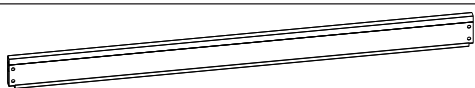





No.	Diagram	QTY
SO		50
SO-1		50
WO	 5x6	100
UO	 lock nut	51
UO-2		48
UO-4		48
XO	 6x35 4mm	49
VO		2
YO	 6x45	3


CARTON 1/4

No.	Diagram	QTY
ZO-1	 4mm	1
ZO-2	 4mm	1
ZO-3	 6mm	1
ZO-4	 6mm	1

No.	Diagram	QTY
ZO-5	 10mm	1
ZO-9	 3mm	1
ZO-10	 3mm	1

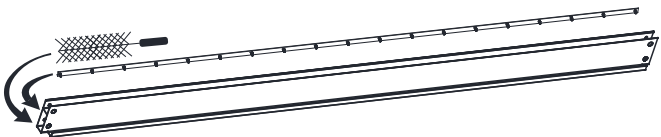
CARTON 2/4

No.	Profile	Diagram	Size	QTY
BO			75X153 L=3809mm	1
BO-1			75X153 L=3809mm	1
CO			75X195 L=2894mm	2
DO			42X54 L=3809mm	2
FO			27X8 L=3650mm	2
HO			L=1300mm	1





ATTENTION!





Connecting Bar(FO) & Brush Inside!



CARTON 3/4

No.	Profile	Diagram	Size	QTY
GO			166X30 L=2853mm	12

CARTON 4/4

No.	Profile	Diagram	Size	QTY
GO-1			166X30 L=2853mm	1
GO			166X30 L=2853mm	12



ASSEMBLY GUIDELINES




Step 1 : Assembling louvers

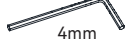
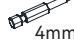

Step 2 : Frame

Step 3 : Install louvers & Connection

1

No.	Diagram	QTY
LO		24
LO-1		25

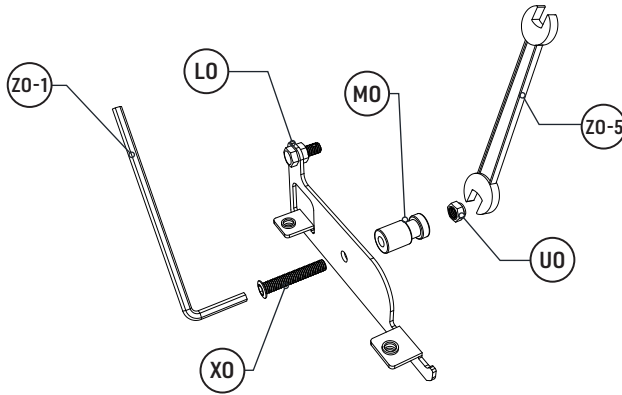
No.	Diagram	QTY
MO		49
UO	 lock nut	49
XO	 6×35 4mm	49

No.	Diagram	QTY
ZO-1	 4mm	1
ZO-2	 4mm	1
ZO-5	 10-12mm	1

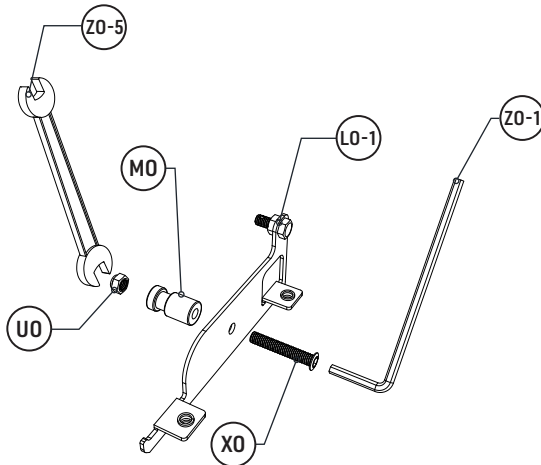
The illustration uses a manual wrench, which can be replaced with an electric P-tip.

Install the spindles for the louver cover on both sides of the louvres.
 Note: To avoid any broken of the plastic parts(MO), when use the pistol drill, please reduce the twisting force of it .



×24








×25



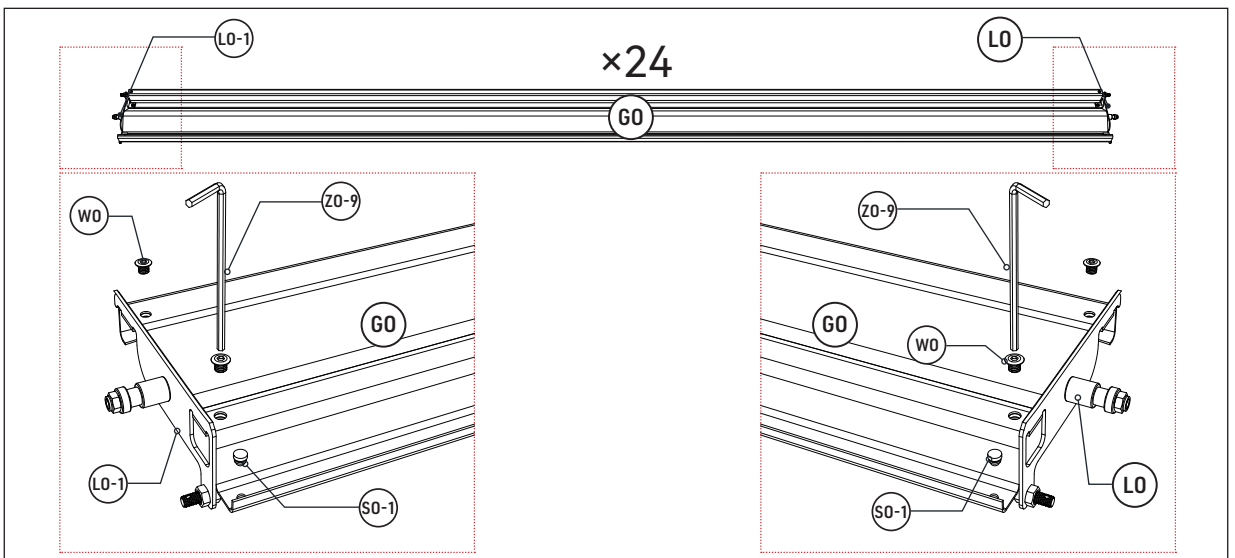
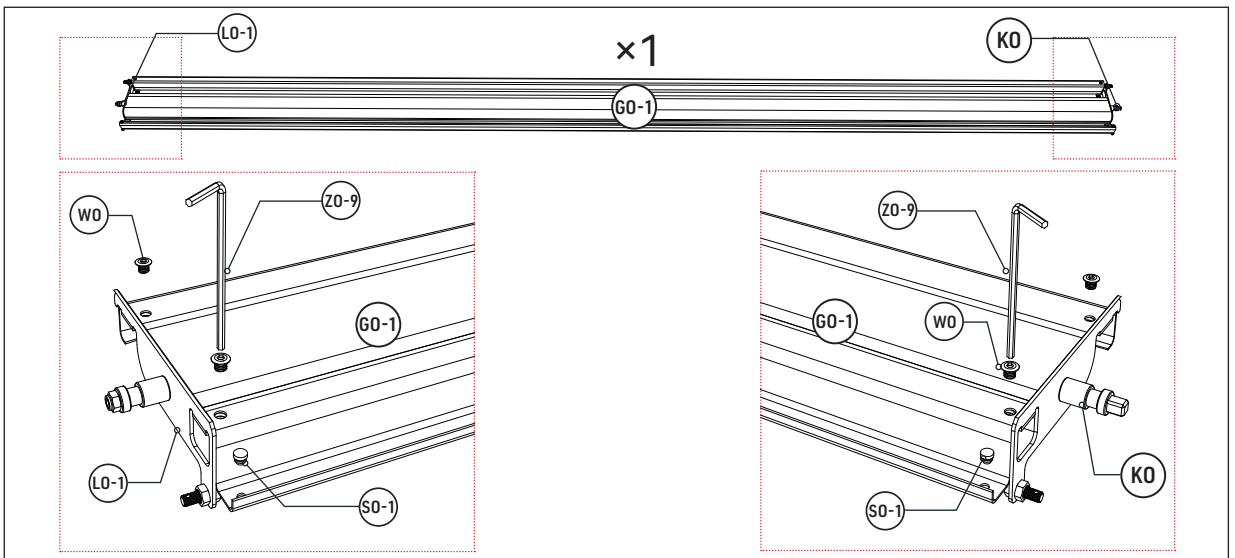
1

No.	Diagram	QTY
GO-1		1
GO		24


No.	Diagram	QTY
KO		1
WO		100
SO-1		50




No.	Diagram	QTY
ZO-9		1
ZO-10		1

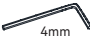

Install the louver cover on both sides of the installed louvres and the spindle louver cover on both sides of the louvres.



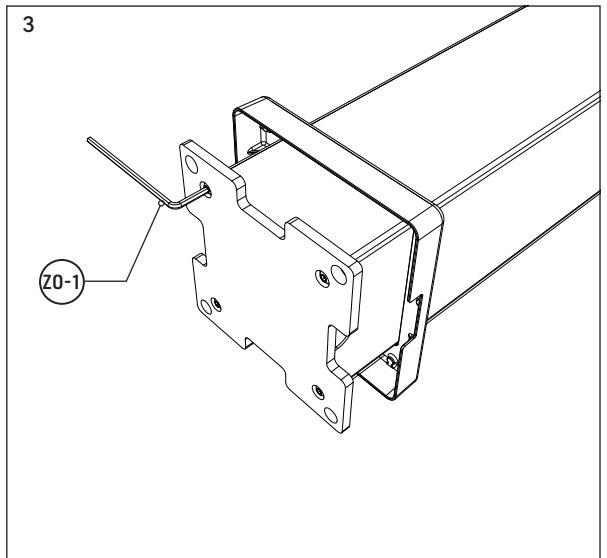
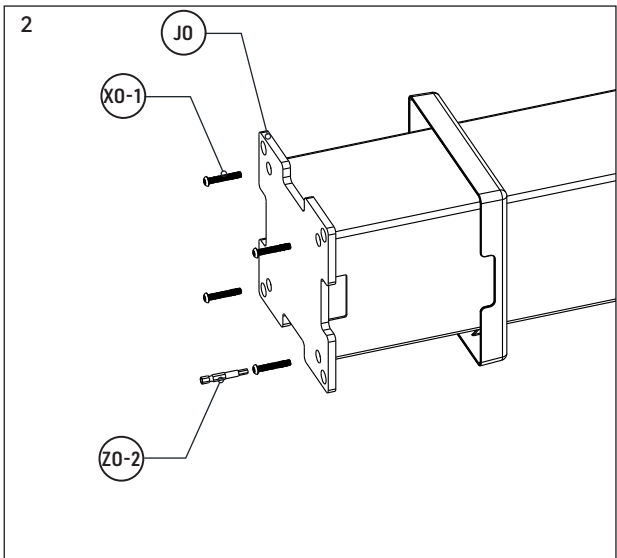
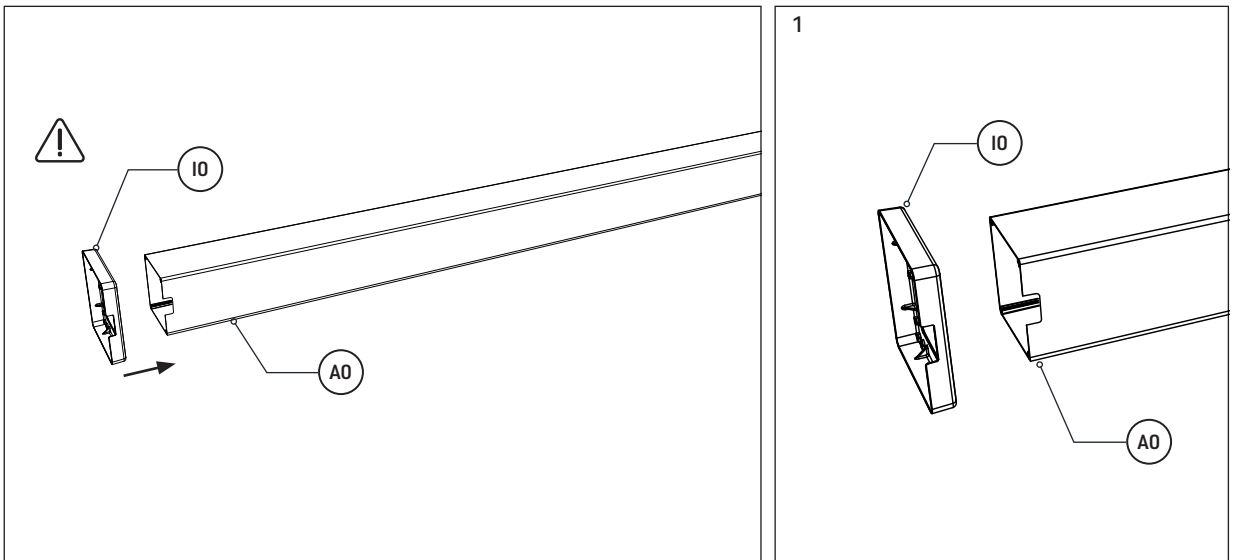
2

No.	Diagram	QTY
AO		4


No.	Diagram	QTY
IO		4
JO		4
XO-1		16


No.	Diagram	QTY
ZO-1		1
ZO-2		1

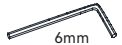
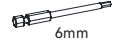
Install the post skirt first, put the notch of the post skirt against the notch of the post, and then install the base plate to fix it to the bottom surface of the post.



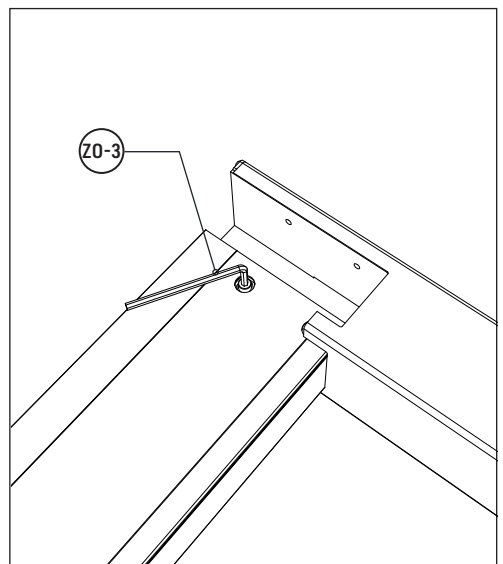
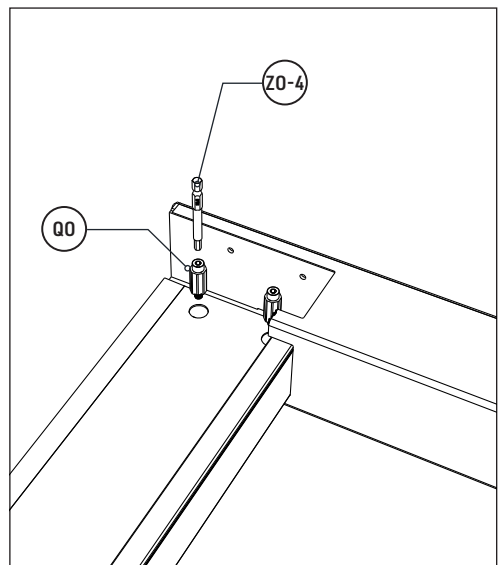
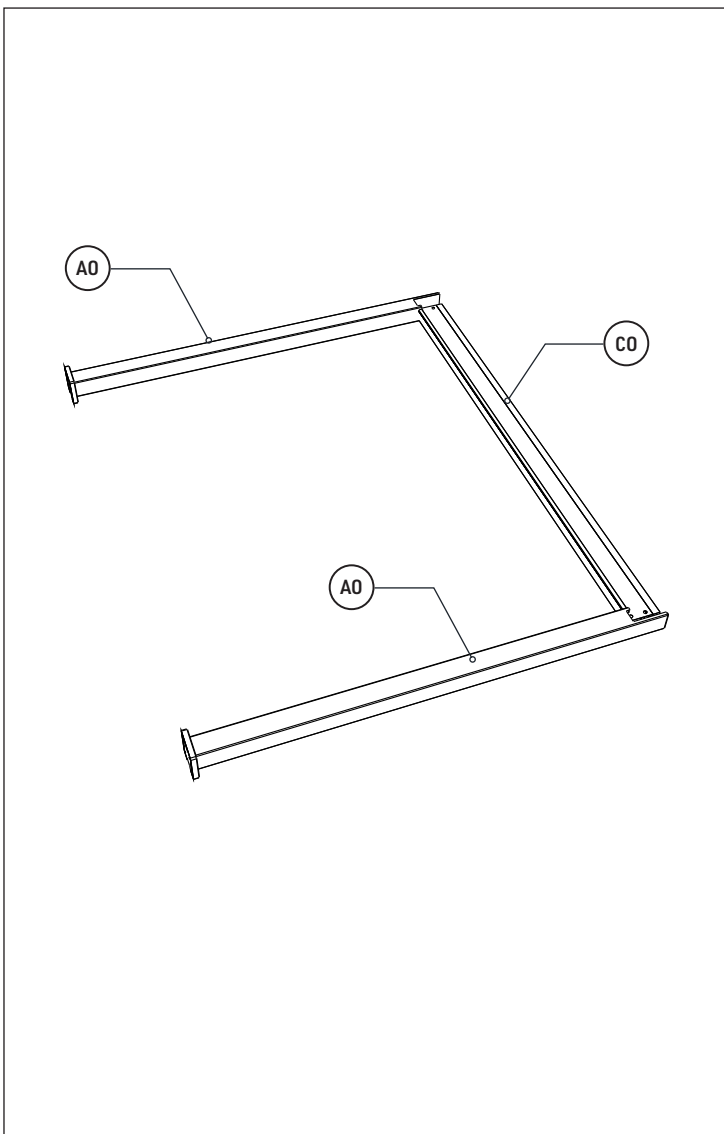
2

No.	Diagram	QTY
CO		2



No.	Diagram	QTY
QO		8


No.	Diagram	QTY
ZO-3		1
ZO-4		1

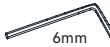

Placing the post flat on the ground, complete the installation of the side beams.



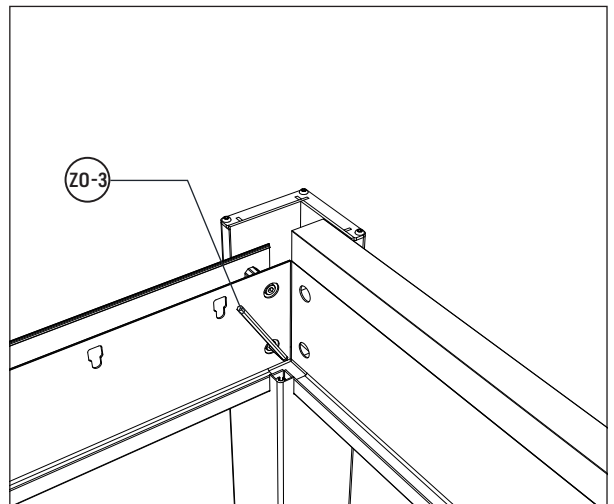
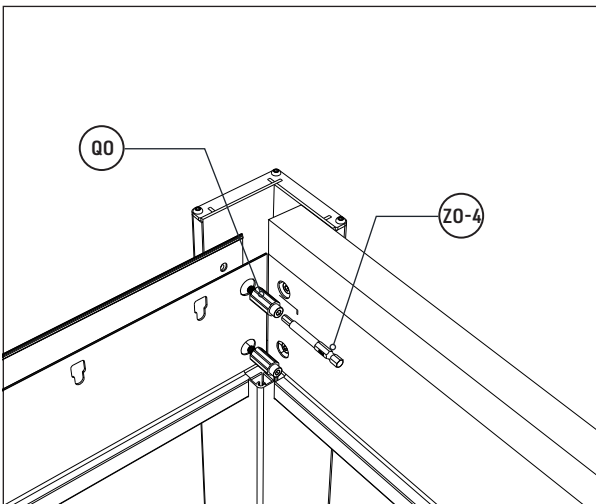
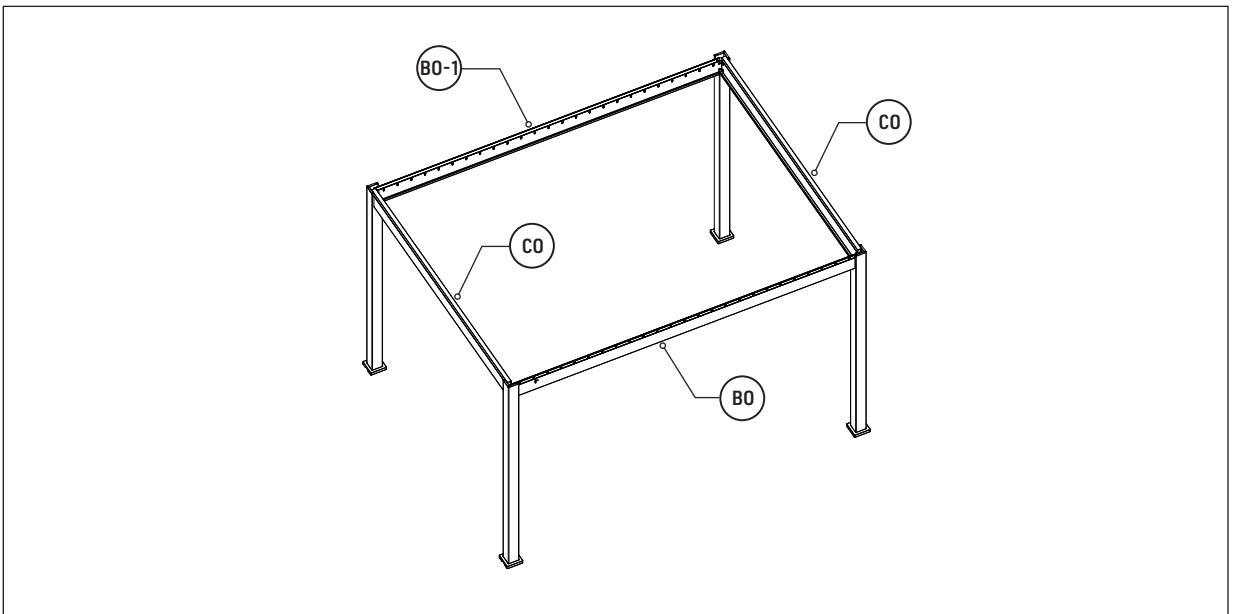
2

No.	Diagram	QTY
BO		1
BO-1		1


No.	Diagram	QTY
QO		8

No.	Diagram	QTY
ZO-3		1
ZO-4		1

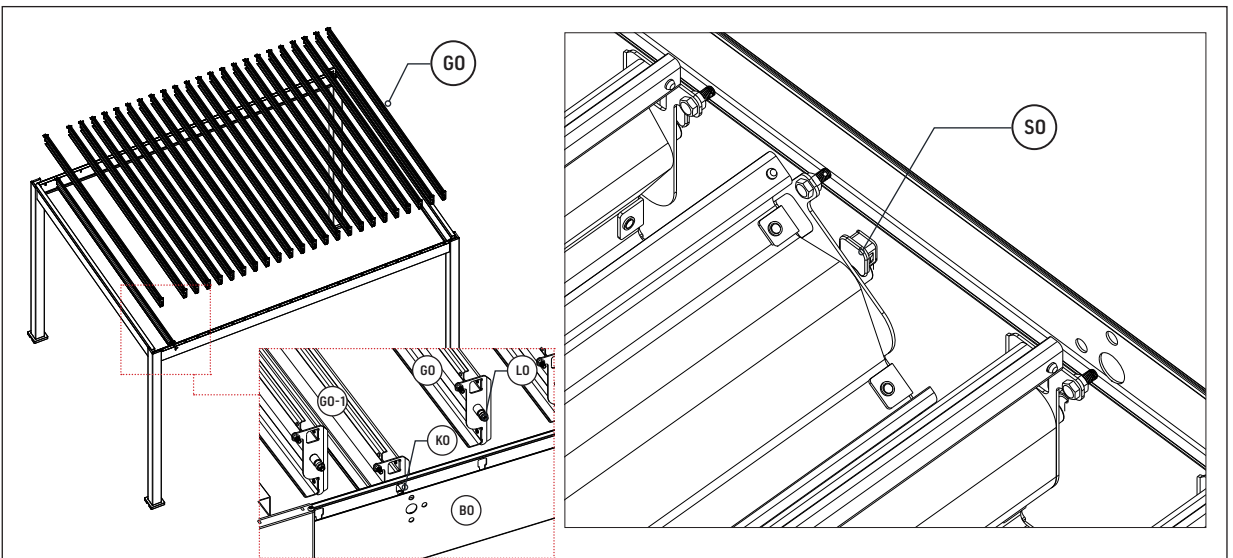
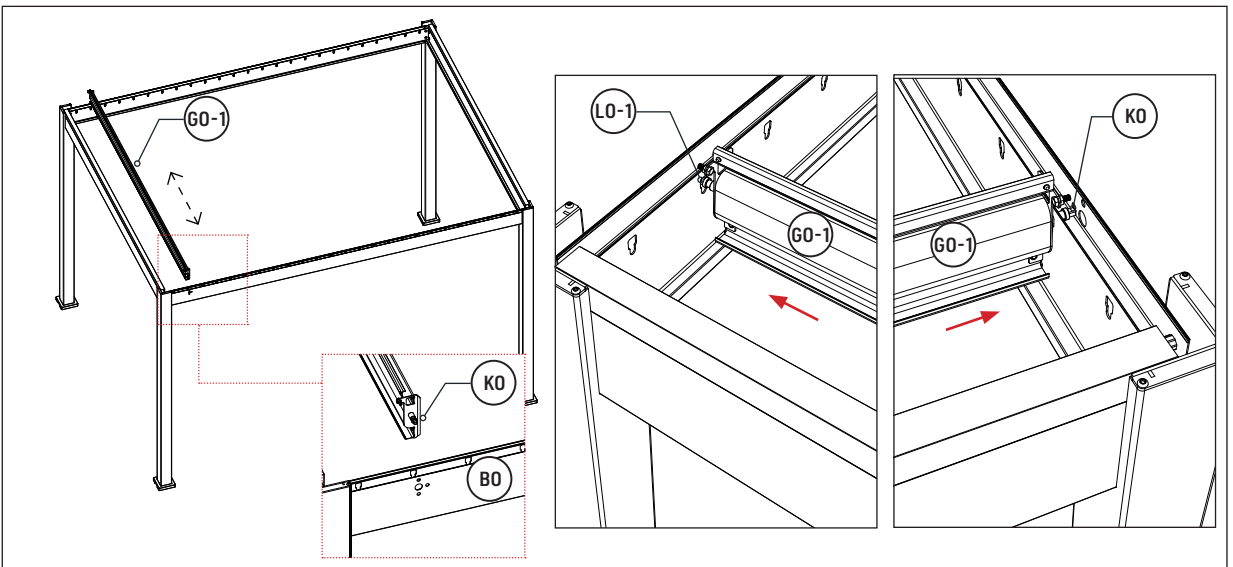
Put up the completed side beams and then install the main beams at each end.




3


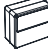


No.	Diagram	QTY
SO		50



Install the louvres with spindles first, placing one side completely into the hole cut in the beam and then the other end.



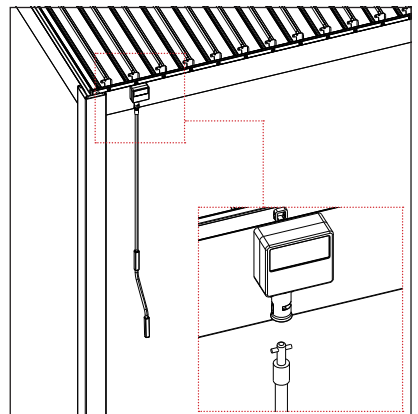
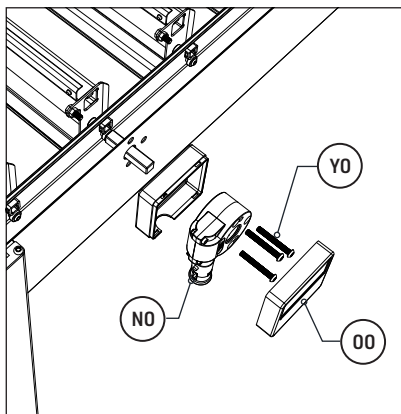
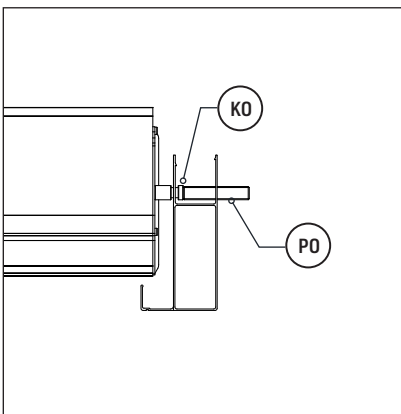
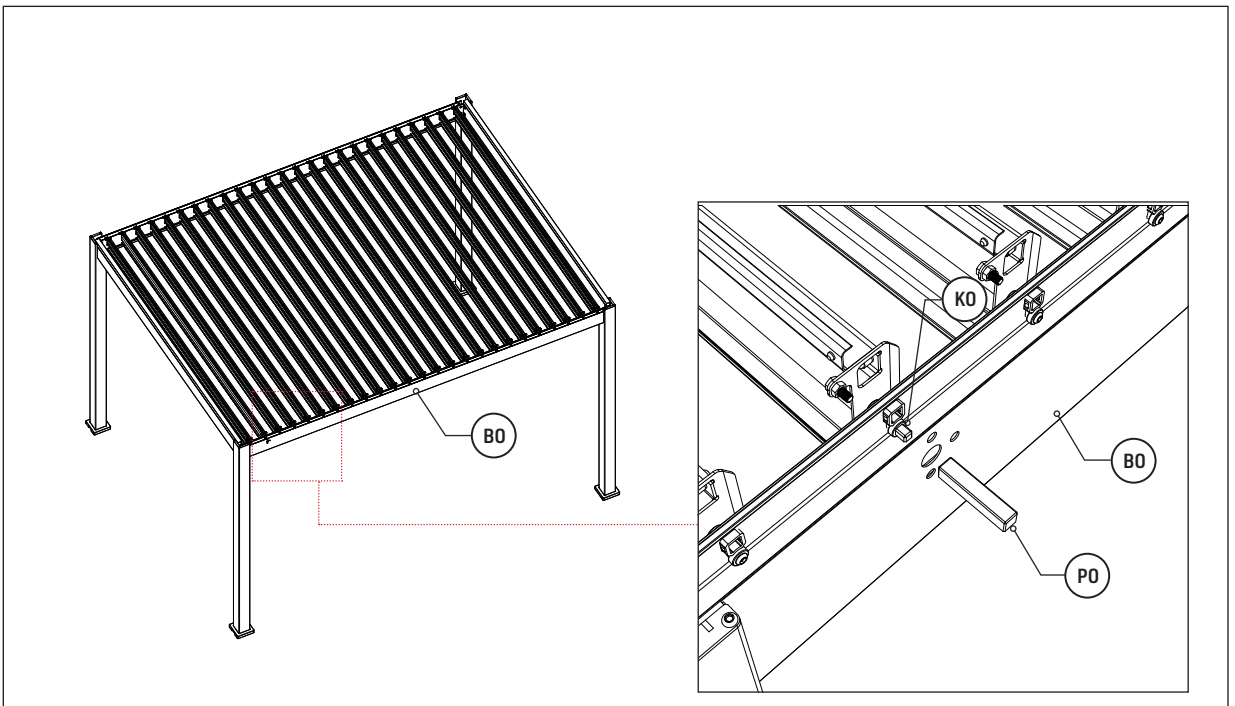
3

No.	Diagram	QTY
HO		1




No.	Diagram	QTY
NO		1
OO		1
PO		1
YO		3

No.	Diagram	QTY
ZO-1		1
ZO-2		1

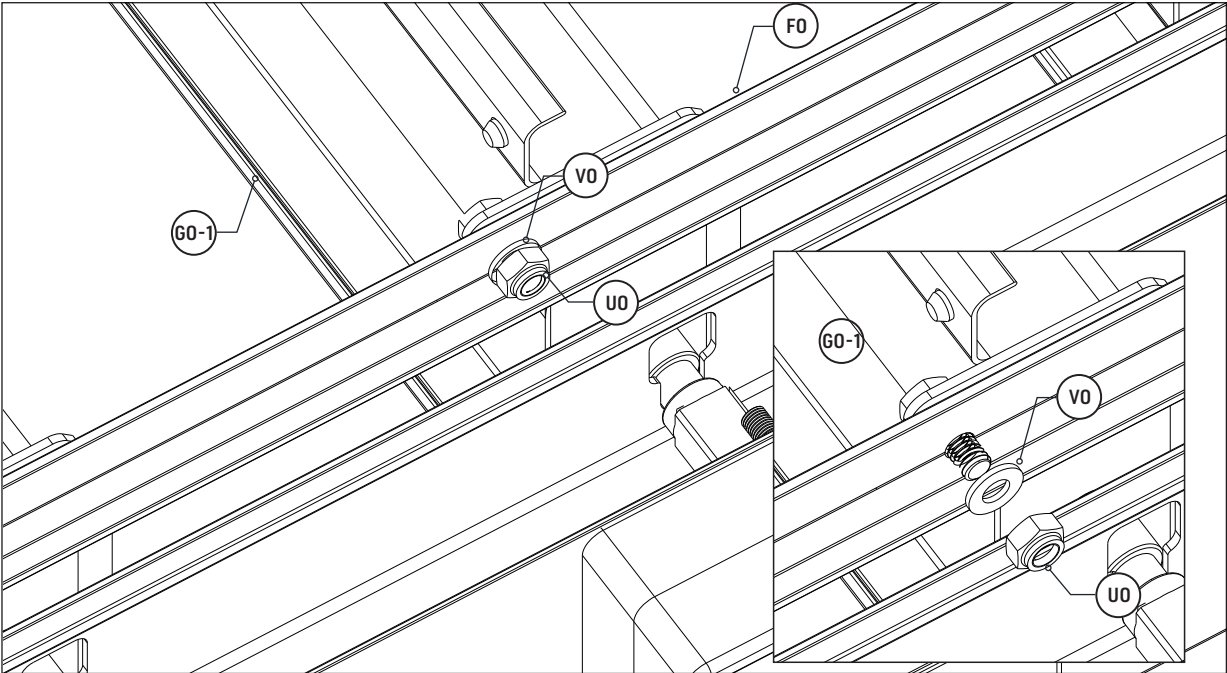
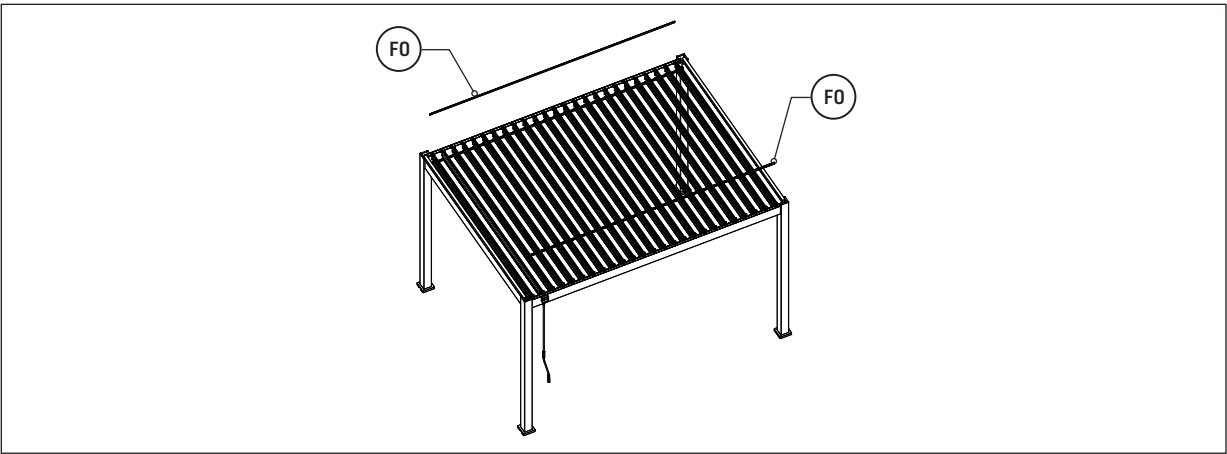
Locate the openings on the outside of the main beam and attach the holes of the connectors to the spindle, then install the plastic case and gearbox.





3

No.	Diagram	QTY	REF	ICON	QTY
FO		2	UO	 lock nut	2
			VO		2

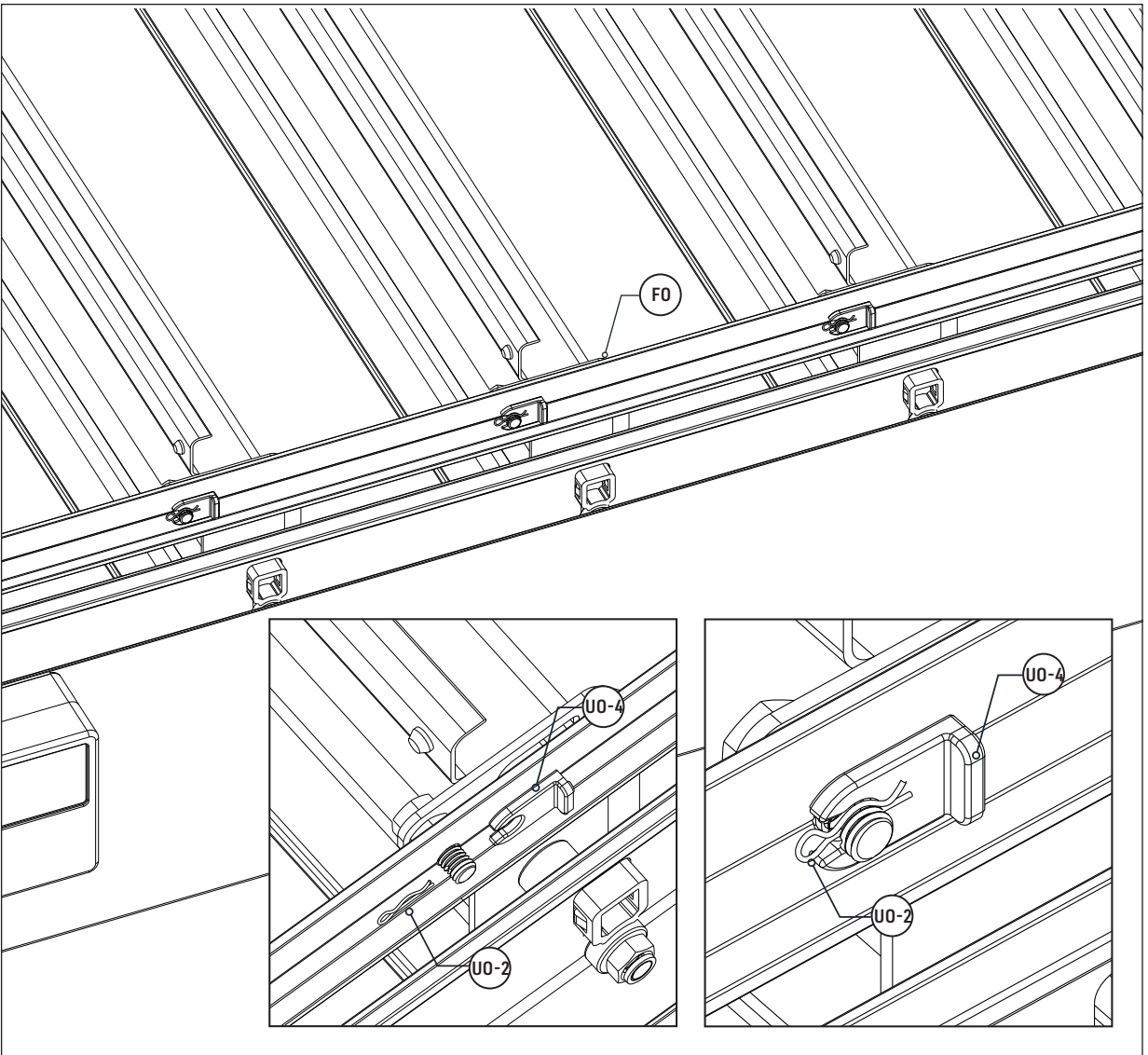
Attach the connecting rod to the side of the spindle louvre.




3


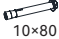
REF	ICON	QTY
UO-2		48
UO-4		48

Attach the connecting rod to the side of the spindle louvre.

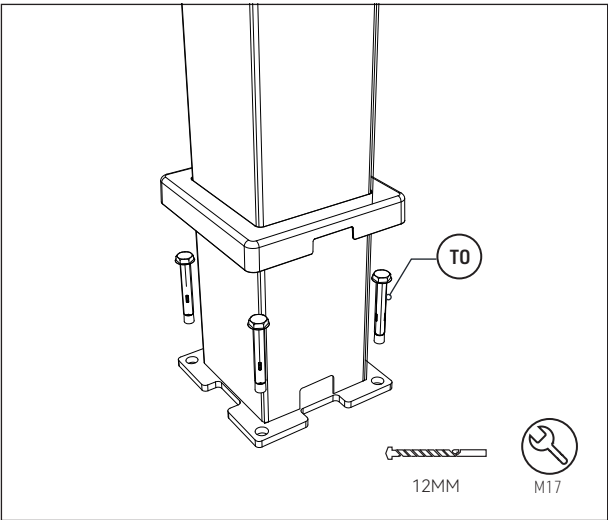
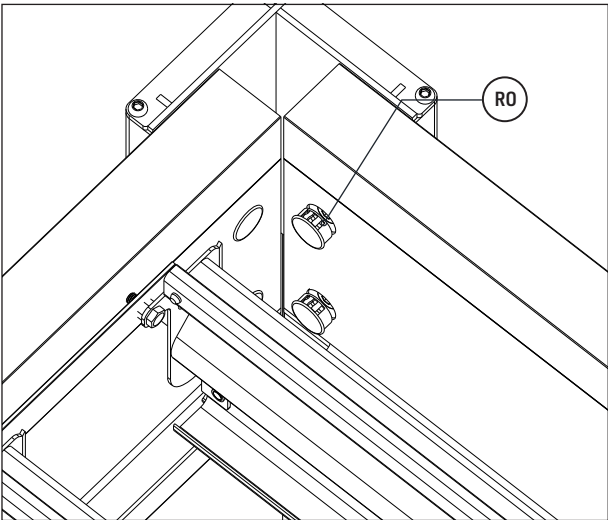
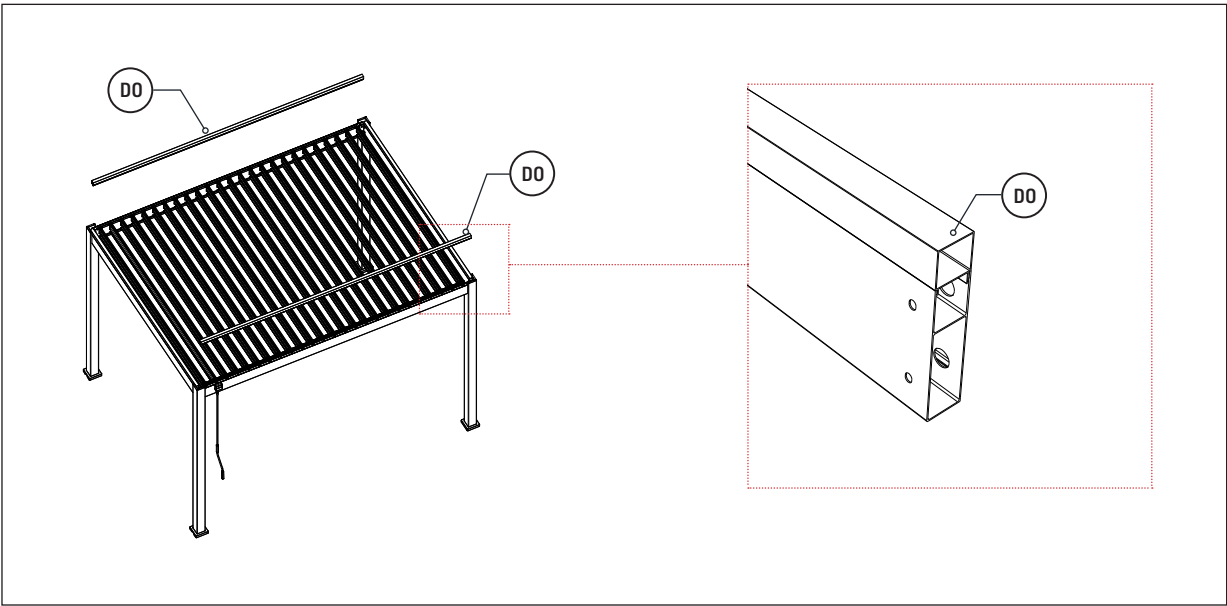


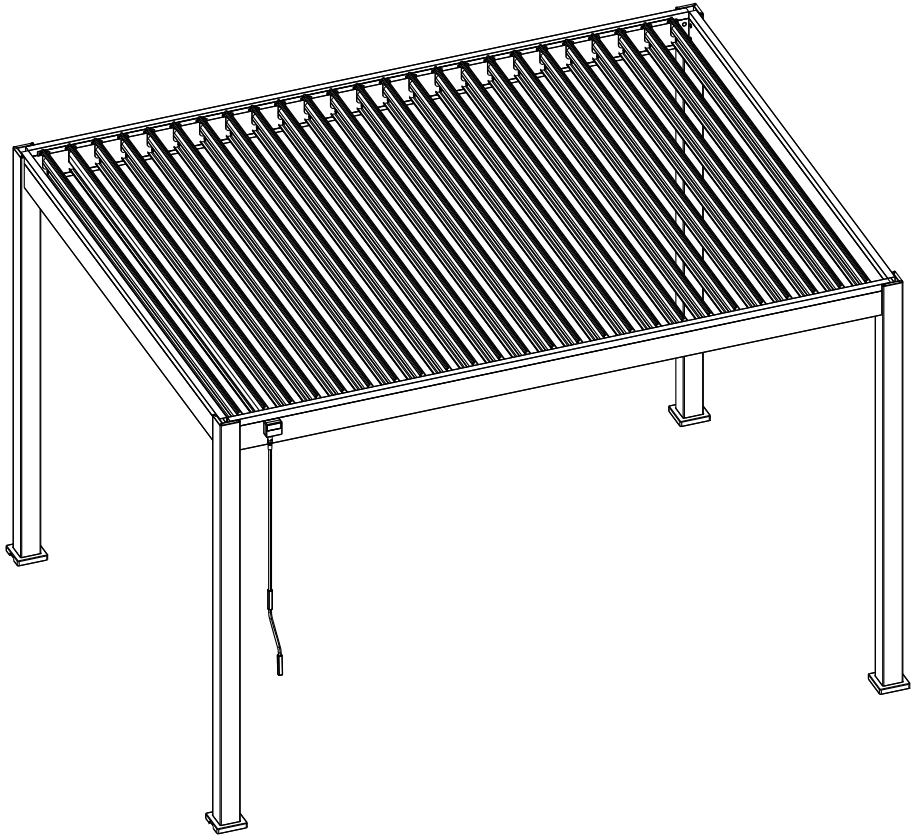
3

No.	Diagram	QTY
DO		2

No.	Diagram	QTY
RO		16
TO	 10x80	16

1. Cover the end caps on the beam.
2. Use the plastic cover to cover the screw holes where the beam is connected to the column.
3. Move the bottom of the columns according to the dimensions on the front page to ensure that the dimensions are the same, then use a 12mm impact drill bit to guide the holes, then put in the expansion screws and tighten them with a M17 spanner.





PERGOLA 3×4M